

Intel® Enpirion® Power Solutions

Tape and Reel, and Tray Packaging Information



Contents

1. Tape and Reel Packaging.....	3
1.1 Tape and Reel Dimensions / Pin 1 Quadrant Locations	3
1.2 Pin 1 Quadrant Location	4
1.3 Tape Dimensions Diagram & Direction of Feed	4
1.4 Carrier Tape Dimensions	5
1.5 Reel Dimensions Diagram.....	6
2. Tray Packaging.....	7
2.1 Tray Packaging and Pin 1 Orientation	7
3. Revision History.....	8

List of Figures

Figure 1: Pin 1 Quadrant Location.....	4
Figure 2: Tape Dimensions Diagram and Direction of Feed	4
Figure 3: Reel Dimensions Diagram	6
Figure 4: Tray Packaging and Pin 1 Orientation	7

List of Tables

Table 1: Tape and Reel Dimensions and Pin 1 Quadrant Locations.....	3
Table 2: Carrier Tape Dimensions	5
Table 3: Tray Packaging.....	7



1. Tape and Reel Packaging

1.1 Tape and Reel Dimensions / Pin 1 Quadrant Locations

Table 1: Tape and Reel Dimensions and Pin 1 Quadrant Locations

	Body Size (mm)			Qty/reel	Reel Dimensions (mm)			Package Pin 1
	X	Y	Z		Dia (A)	Width (W)	Hub Dia (N)	Quadrant
Package Dimension	1.75	2.00	0.90	1000	180	12.0	60	2
	2.25	2.50	1.15	1000	180	12.0	60	2
	3.00	3.00	0.55	1000	180	12.0	60	2
	3.00	3.00	1.00	1000	180	12.0	60	1
	3.00	3.00	1.15	1000	180	12.0	60	2
	3.00	4.00	0.90	1000	180	12.0	60	1
	3.90	4.90	1.75	1000	180	12.0	60	1
	3.90	8.65	1.75	1000	180	12.0	60	1
	4.00	4.00	0.75	1000	180	12.0	60	1
	4.00	4.00	0.90	1000	180	12.0	60	1
	4.00	5.00	1.10	1000	180	12.0	60	1
	4.40	5.00	1.20	1000	180	12.0	60	1
	5.00	4.00	1.85	500	180	12.0	60	2
	5.00	5.00	0.85	3000	330	12.0	102	1
	5.50	5.50	0.90	1000	180	12.0	60	2
	5.50	7.50	0.85	1000	180	16.0	60	1
	5.50	7.50	0.95	1000	180	16.0	60	1
	6.00	4.00	1.10	500	180	12.0	60	2
	6.00	4.00	2.50	500	180	12.0	60	2
	6.00	6.00	0.90	1000	180	16.0	60	1
	7.00	4.00	1.85	500	180	16.0	60	2
	8.00	8.00	3.00	250	180	16.0	60	2
	10.00	5.50	3.00	250	180	24.0	60	2
	10.00	7.50	1.85	500	180	24.0	60	2
	11.00	8.00	1.85	500	180	24.0	60	2
	11.00	8.00	3.00	250	180	24.0	60	2
	11.00	10.00	3.00	250	180	24.0	60	2
	12.00	10.00	1.85	250	180	24.0	60	2
12.00	13.00	3.00	250	180	24.0	60	1	

NOTE: All dimensions are typical.

1.2 Pin 1 Quadrant Location

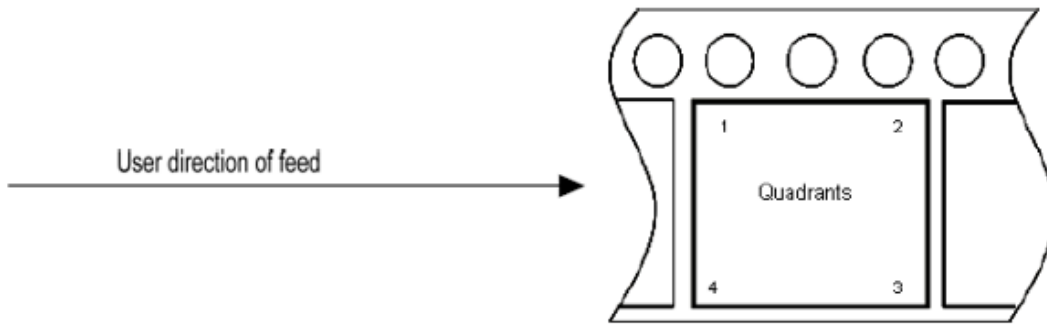


Figure 1: Pin 1 Quadrant Location

1.3 Tape Dimensions Diagram & Direction of Feed

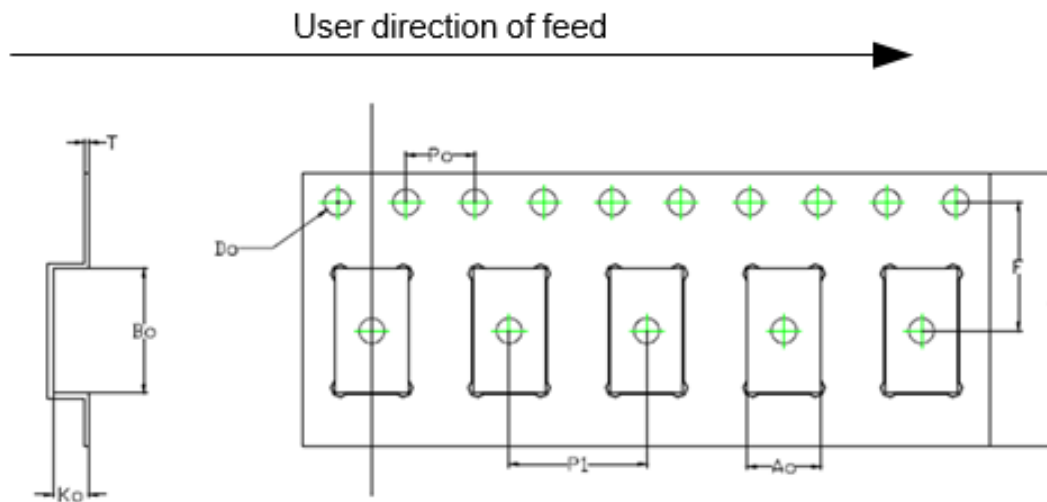


Figure 2: Tape Dimensions Diagram and Direction of Feed



1.4 Carrier Tape Dimensions

Table 2: Carrier Tape Dimensions

	Body Size (mm)			Tape Dimensions (mm)								
	<u>X</u>	<u>Y</u>	<u>Z</u>	<u>Ao</u>	<u>Bo</u>	<u>Ko</u>	<u>F</u>	<u>Po</u>	<u>P1</u>	<u>Do</u>	<u>W</u>	<u>I</u>
Package Dimension	1.75	2.00	0.90	2.20	2.00	1.14	5.50	4.00	4.00	1.55	12.00	0.30
	2.25	2.50	1.15	2.55	2.80	1.40	5.50	4.00	4.00	1.55	12.00	0.30
	3.00	3.00	0.55	3.30	3.30	0.80	5.50	4.00	8.00	1.55	12.00	0.30
	3.00	3.00	1.00	3.30	3.30	1.10	5.50	4.00	8.00	1.50	12.00	0.30
	3.00	3.00	1.15	3.30	3.30	1.30	5.50	4.00	8.00	1.55	12.00	0.30
	3.00	4.00	0.90	3.30	4.30	1.10	5.50	4.00	8.00	1.50	12.00	0.30
	3.90	4.90	1.75	6.40	5.20	2.10	5.50	4.00	8.00	1.50	12.00	0.30
	3.90	8.65	1.75	6.50	9.50	2.30	5.50	4.00	8.00	1.50	12.00	0.30
	4.00	4.00	0.75	4.30	4.30	0.95	5.50	4.00	4.00	1.55	12.00	0.30
	4.00	4.00	0.90	4.35	4.35	1.10	5.50	4.00	8.00	1.50	12.00	0.30
	4.00	5.00	1.10	4.30	5.30	1.30	5.50	4.00	8.00	1.55	12.00	0.30
	4.40	5.00	1.20	6.95	5.60	1.60	5.50	4.00	8.00	1.50	12.00	0.30
	5.00	4.00	1.85	4.30	5.30	2.10	5.50	4.00	8.00	1.55	12.00	0.30
	5.00	5.00	0.85	5.25	5.25	1.10	5.50	4.00	8.00	1.50	12.00	0.30
	5.50	5.50	0.90	5.80	5.80	1.14	5.50	4.00	8.00	1.15	12.00	0.30
	5.50	7.50	0.85	5.80	7.80	1.20	7.50	4.00	8.00	1.55	16.00	0.30
	5.50	7.50	0.95	5.80	7.80	1.20	7.50	4.00	8.00	1.55	16.00	0.30
	6.00	4.00	1.10	4.30	6.30	1.30	5.50	4.00	8.00	1.55	12.00	0.30
	6.00	4.00	2.50	4.30	6.30	2.90	5.50	4.00	8.00	1.50	12.00	0.30
	6.00	6.00	0.90	6.30	6.30	1.10	7.50	4.00	12.00	1.50	16.00	0.30
	7.00	4.00	1.85	4.25	7.25	2.10	7.50	4.00	8.00	1.55	16.00	0.30
	8.00	8.00	3.00	8.30	8.30	3.40	7.50	4.00	12.00	1.50	16.00	0.35
	10.00	5.50	3.00	5.80	10.30	3.25	11.50	4.00	12.00	1.55	24.00	0.30
	10.00	7.50	1.85	7.90	10.40	2.20	11.50	4.00	12.00	1.55	24.00	0.30
11.00	8.00	1.85	8.25	11.25	2.10	11.50	4.00	12.00	1.55	24.00	0.30	
11.00	8.00	3.00	8.30	11.30	3.25	11.50	4.00	12.00	1.55	24.00	0.30	
11.00	10.00	3.00	10.30	11.30	3.25	11.50	4.00	16.00	1.55	24.00	0.30	
12.00	10.00	1.85	10.40	12.40	2.20	11.50	4.00	16.00	1.55	24.00	0.30	
12.00	13.00	3.00	12.30	13.30	3.25	11.50	4.00	16.00	1.55	24.00	0.30	

Note the following:

1. Material is polystyrene meeting surface resistivity of 10^5 to 10^{11} ohms/sq inch.
2. All dimensions are typical and in millimeters.



1.5 Reel Dimensions Diagram

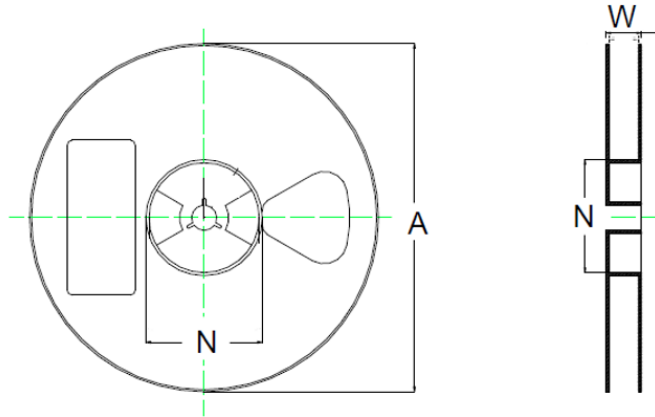


Figure 3: Reel Dimensions Diagram



2. Tray Packaging

2.1 Tray Packaging and Pin 1 Orientation

Table 3: Tray Packaging

Body Size (mm)			Qty/Tray	No. Of Trays Per Inner Box Packing And Equivalent Unit Quantity	Device Pin 1 Orientation
X	Y	Z			
17.00	11.00	6.76	112	1 Tray / 112 Units	Chamfer Corner Of Tray

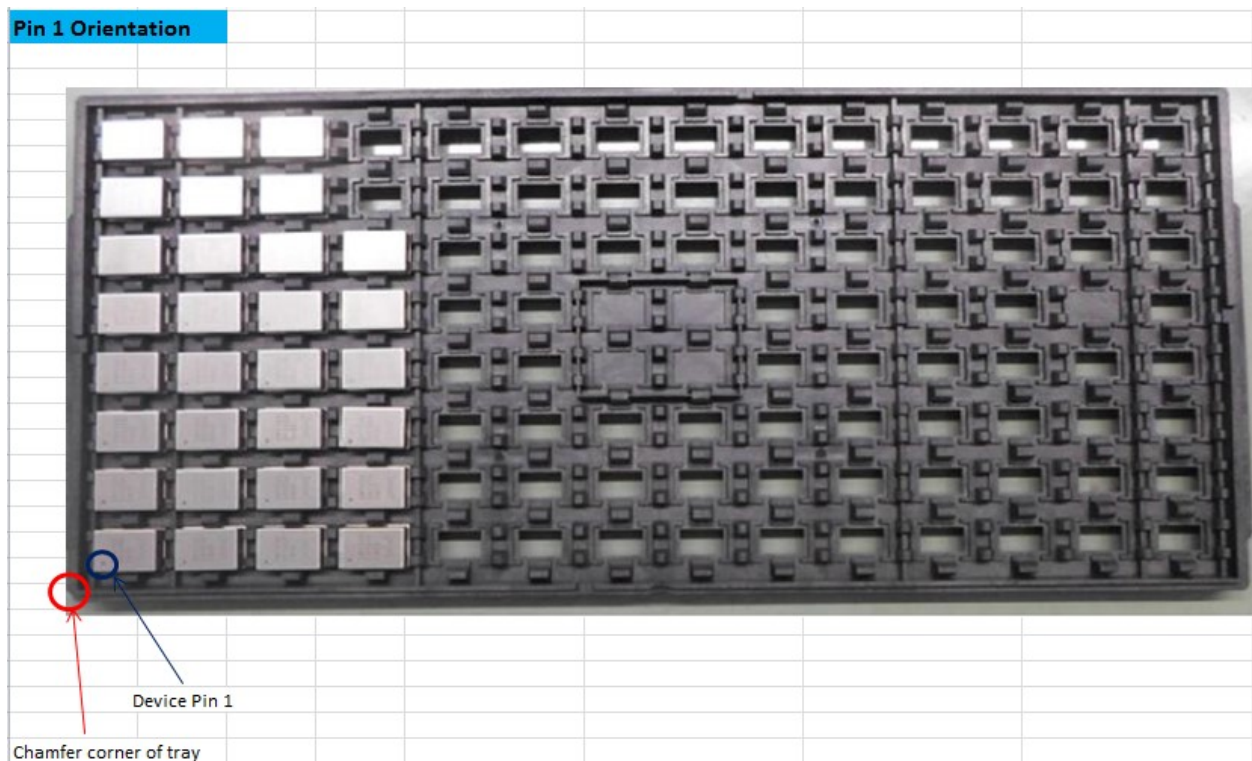
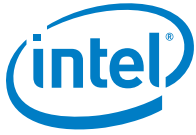


Figure 4: Tray Packaging and Pin 1 Orientation



3. Revision History

Revision Number	Description	Revision Date
1.0	Initial release. Reference: 07P-02096.	October 2017